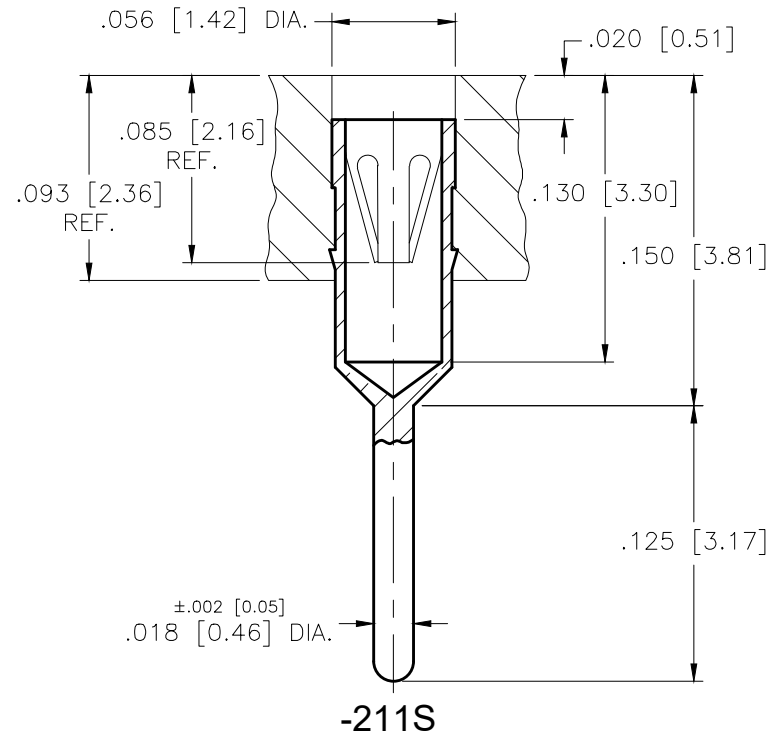
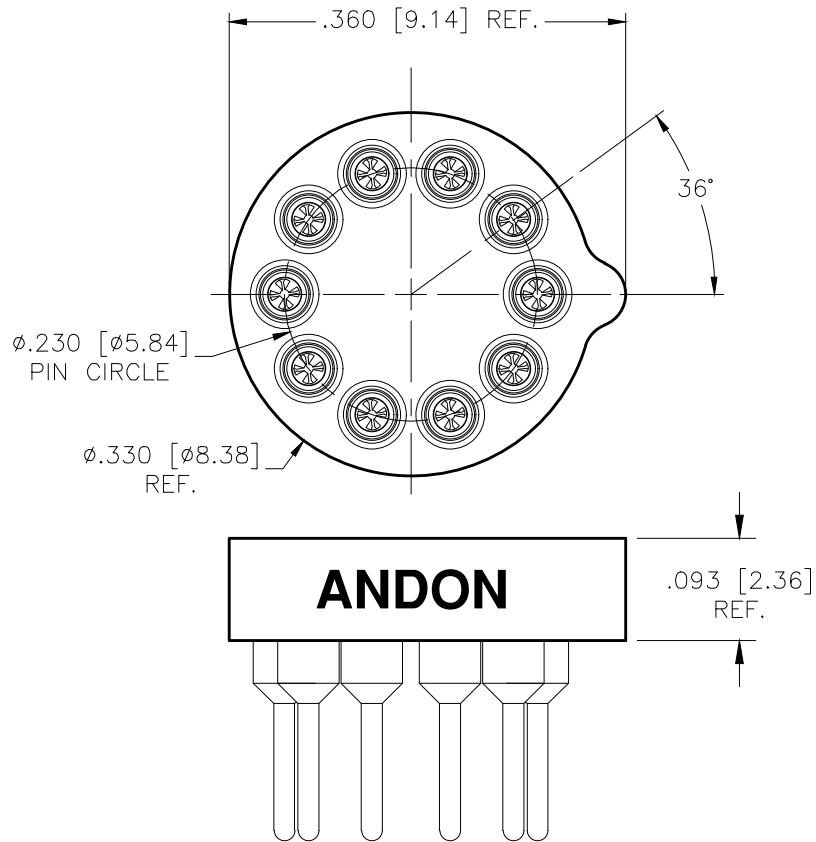


**TOP VIEW**



**TECHNICAL INFORMATION**

- INSULATOR:** BLACK FR-4 (EPOXY)
- TERMINAL:** BRASS, PER ASTM-B16
- CONTACT:** BeCu, PER ASTM-B194
- FORCES:** INSERTION: 9.0 oz. - 255 GRAMS AVG. WITH A .018" [0.46] DIA. PIN  
WITHDRAWAL: 2.0 oz. - 56 GRAMS AVG. WITH A .018" [0.46] DIA. PIN
- PLATING:** CONTACT: GOLD 10μ INCHES MIN.  
TERMINAL: GOLD 10μ INCHES MIN.
- TERMINAL ACCEPTS:**  $\phi$ .016" [.40mm] -  $\phi$ .022" [.56mm] PINS

**RoHS COMPLIANT**

**"ANDON PROPRIETARY INFORMATION"**

THIS DRAWING CONTAINS INFORMATION PROPRIETARY TO ANDON ELECTRONICS CORPORATION. ANY REPRODUCTION, DISCLOSURE OR USE OF THIS DRAWING IS EXPRESSLY PROHIBITED AS ANDON ELECTRONICS MAY OTHERWISE AGREE IN WRITING.



TITLE: **.230 [5.84] PIN CIRCLE 10 PIN FP 03T ROUND SENSOR SOCKET w/TAB**

TOLERANCE EXCEPT AS NOTED	DRAWN BY: GB	SCALE:
ANGLE .... ± 2°	CHK'D BY: GB/TB	DATE: 11/15/22
FRACTION ±.010 .XX ..... ±.010 .XXX ..... ±.005	APP'D BY: TB	FILE:
	UNITS: INCHES [MILLIMETERS]	

REV.	DESCRIPTION	DATE	REV. BY	APP. BY	A	DWG. NO. <b>R230-1010-03T-211S-R27-L14</b>	REV. <b>0</b>
------	-------------	------	---------	---------	---	--	---------------